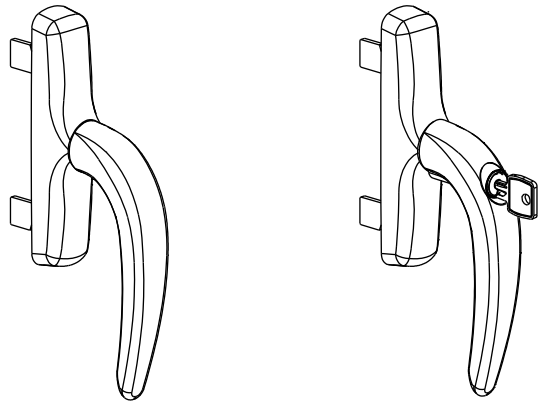
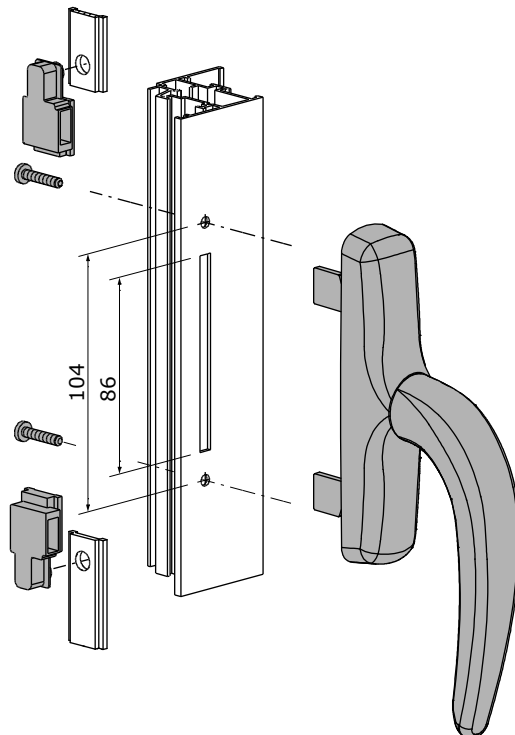
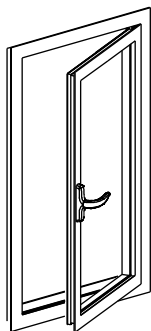
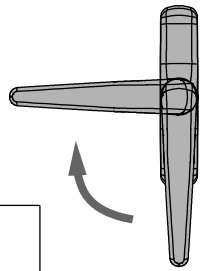
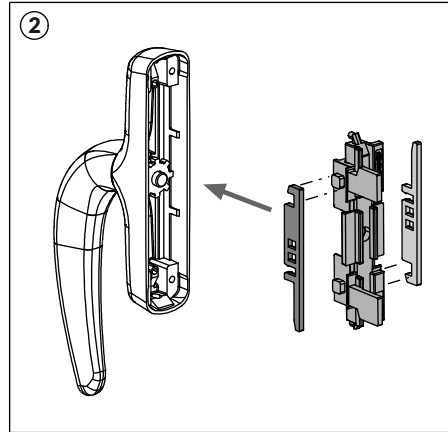
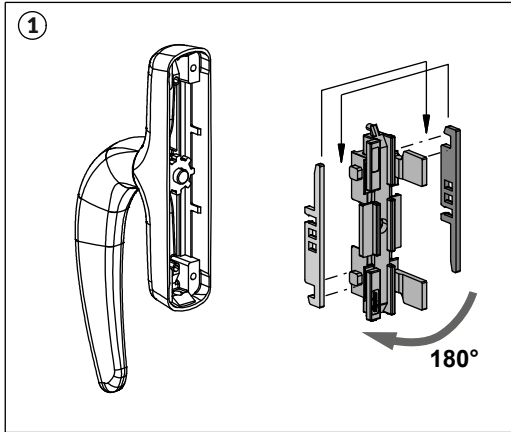
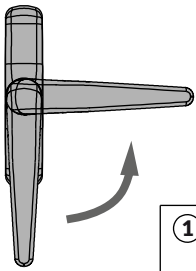


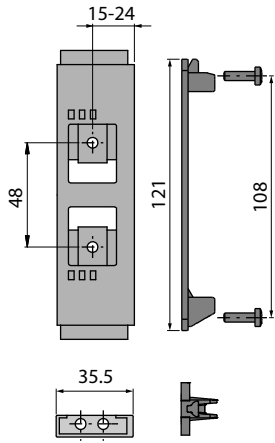
RAMSES



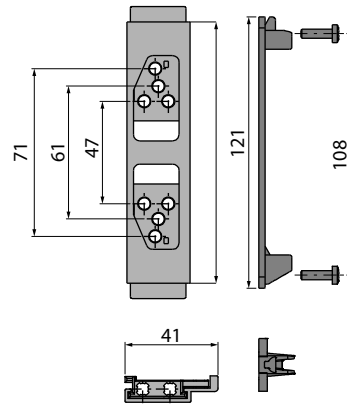
fapim[®]
Life in evolution

ULBR - Rev.00

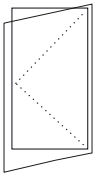




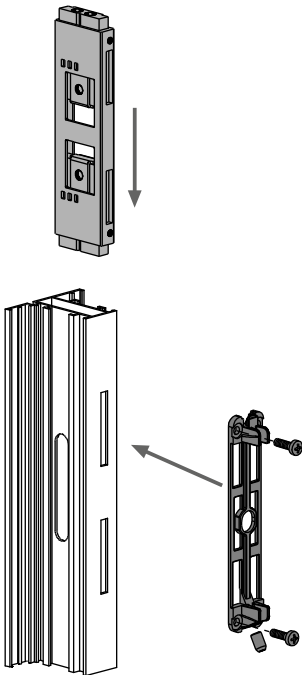
Art. 1827A



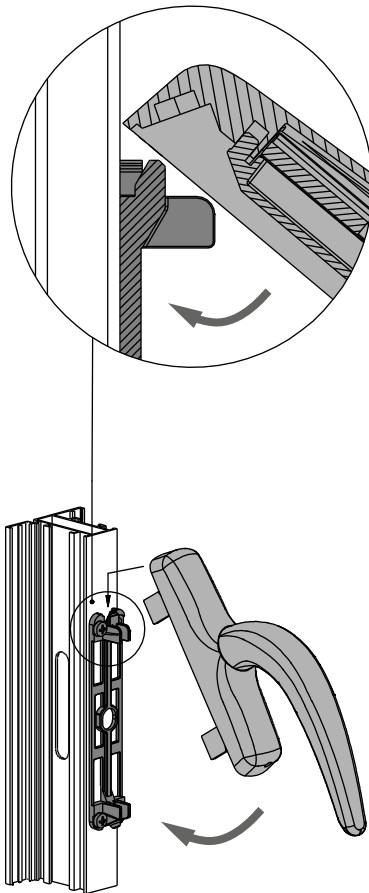
Art. 1827B



①



②



③

